

REV	POSITION	DATE	DESCRIPTION

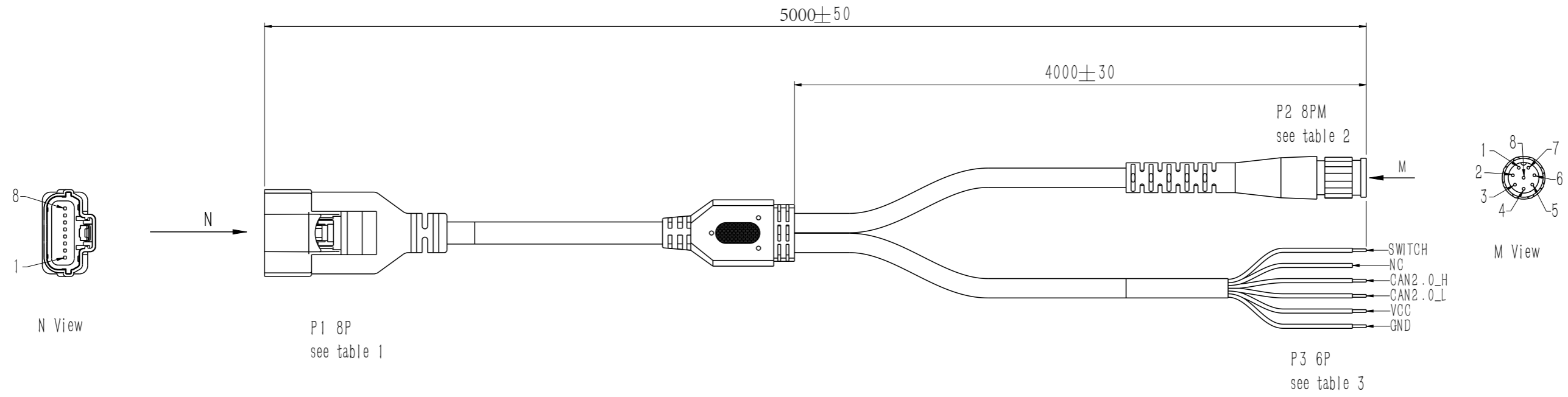


Table 1: Definition of Interface P1

No.	Definition	Range	Cable color
1	VCC	8~32V DC	Red
2	NC	empty	Orange
3	SWITCH	Input: 12/24V DC Output: 0V DC	Blue
4	GND	0V DC	Black
5	CAN2.0_H	-58~58V DC	Green
6	CAN2.0_L	-58~58V DC	Yellow
7	CAN_FD_H	-58~58V DC	White
8	CAN_FD_L	-58~58V DC	Violet

Table 2: Definition of Interface P2

No.	Definition	Range	Cable color
1	CAN_FD_H	-58~58V DC	White
2	CAN_FD_L	-58~58V DC	Violet
3	VCC_SCREEN	8~32V DC	Red
4	GND_SCREEN	0V DC	Black

Table 3: Definition of vehicle power Interface P3

No.	Definition	Range	Cable color
1	VCC	8~32V DC	Red
2	NC	empty	Orange
3	SWITCH	Input: 12/24V DC Output: 0V DC	Blue
4	GND	0V DC	Black
5	CAN2.0_H	-58~58V DC	Green
6	CAN2.0_L	-58~58V DC	Yellow

Table 4: Information

Product number	105200022
----------------	-----------

RELEASE LEVEL: []
FILE NAME: RADAR_CABLE

±TOL				AUTEL 道通科技股份有限公司 Autel Intelligent Technology Corp., Ltd.		TITLE: radar cable	
DIM	Plastic	Sheetmetal	Machining	These Drawings And Specification Are The Property Of AUTEL. And Shall NOT Be Reproduced Copied Or Used In Any Manner Without The Prior Written Consent Of AUTEL.	DRAW: Jianbing Zhang	UNIT'S: mm	DWG NO.: AUT81430488
0~30	0.20	0.15	0.10	PROJ	CHKD: Haibin Lu	FINISH: /	PART NO.: 105200022
30~120	0.35	0.25	0.15		STAD: Guangping Ou	MASS(Kg): [0.9]	
120~300	0.65	0.35	0.20		APPD: Dengguo Zhang	SCALE: 3:5	MATERIAL: PVC/PE
300~600	1.10	0.50	0.25		SHEET: OF	PRODUCT: ASR100	
600~1200	1.75	0.60	0.30				
>1200	2.10	0.80	0.50				
ANG	/	1°	30'				